



Chroma-Q[®]
BRILLIANT SOLUTIONS

Specification Sheet - Version: 0.2
Chroma-Q[®] Studio Force T 12 DC[™]
Tungsten White LED Fixture
Part No: CHSFTDC12

DESCRIPTION

The fixture shall provide a very powerful hot lumens output of up to 5000 lumens*, for washing large areas.
The fixture shall be suitable for creating a wide range of lighting applications, including key-lighting, uplighting, backlighting and wash applications.
The fixture shall be suitable for floor, wall or truss mounting.
The fixture shall provide a variable 3,000K CCT white light.
The fixture shall provide a minimum CRI of 80*.
The fixture shall provide a smooth, linear dimming curve.
The fixture shall feature a built-in stand-alone mode.
The fixture shall be manufactured from extruded material.
The fixture shall feature a 4 Pin XLR for 12-40V DC Input.

FEATURES

- 3,000K CCT tungsten white
- DC Input: 12-40 VDC via 4 Pin XLR
- Mains Input: 100-240 VDC, 50-60HZ via Optional AC/DC adaptor
- Extreme output - up to 5000 lumens
- Extremely smooth, uniform wash
- Theatrical grade dimming
- Specifically developed for use in film, TV and broadcast environments
- 300mm / 1ft length ideal for floor, wall or truss mounting
- Camera friendly
- Extra soft beam
- Controllable frequency
- Laboratory calibrated to match Planckian Locus / Black Body Locus
- Very wide output
- Equal to or better output than fluorescent
- Toolless yoke adjustment
- Alternative to fluorescent
- Standalone mode
- 1 slot for accessories
- Toolless yoke adjustment
- Fanless, studio and full control modes
- Broad range of accessories available including Egg crate and barn doors

ORDERING INFORMATION

CHSFTDC12: Chroma-Q Studio Force T 12 DC, body finished in black

ACCESSORIES

CHCFCL12: Cyc Lens For Force 12
CHCFBL12: Border Light Lens For Force 12
CHCFSA12: Spigot Adaptor For Force 12
CHCFECL12: Egg Crate Louver For Force 12
CHCFTH12: Top Hat For Force 12
CHCFHTH12: Half Top Hat For Force 12
CHCFBD12: Barn Door For Force 12
CHCFDBX: Diffuser Box For Force 12
CHCFLBA12: Lightbank Adaptor (Speedring) For Force 12
CHCFLB12: Lightbank For Force 12
CHCFLBK-K: Lightbank Kit+ For Force 12 (consists of Lightbank Adaptor (Speedring) & Lightbank)

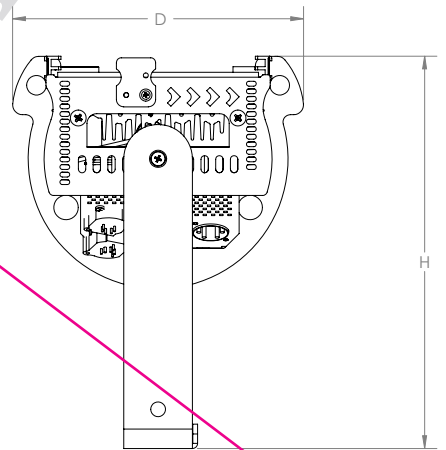
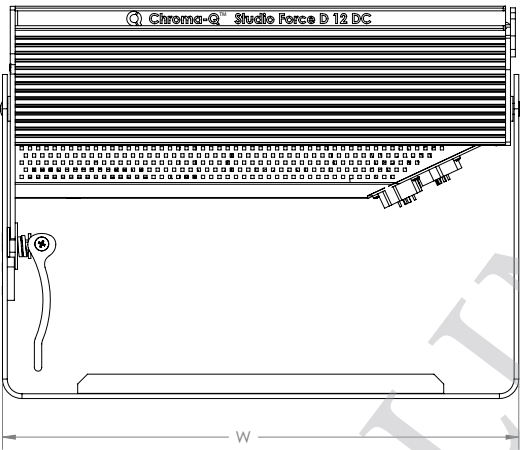
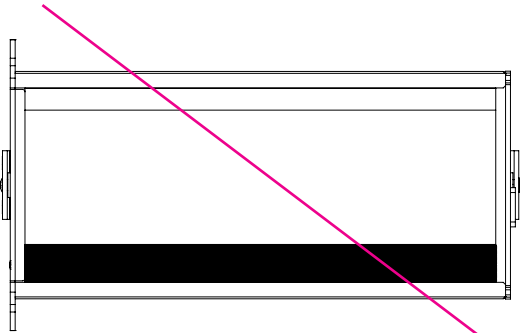
OVERALL SPECIFICATIONS

Net dimensions (without fixings):	Width: 335mm / 13.2" Height: 254mm / 10" Depth: 188mm / 7.4"
Net weight:	4.4kgs / 9.6lbs
Shipping dimensions:	Width: 406mm / 16" Height: 330mm / 13" Depth: 287mm / 11.3"
Shipping weight:	6kgs / 13lbs
Power supply:	External Battery or AC/DC Switching Adaptor
Power input rating:	DC Input: 12-40 VDC; Mains Input: 100-240VAC, 50-60Hz, 160VA
Power consumption:	150W
Typical power & current:	Measurements done with all LEDs at max. intensity. Measurements made at nominal voltage. Allow for deviation of +/- 10%
Power connectors in/out:	XLR 4-pin (Input)
Data connector in/out:	XLR 5-pin
Control protocol:	ANSI E1.11 USITT DMX 512-A
Cooling system:	Forced - 1 fan
Operating temperature:	0°C - 40°C
Construction:	Black anodised aluminium extrusion
Colour:	Black
Built in hardware:	Quick release lever for tilt adjustment
IP Rating:	IP20
Approvals:	CE
LED engines:	2
LEDs per engine:	24 Warm White
Total LEDs:	48
Control modes:	1 channel Level, 1 channel Look Select, Look Store, Manual/Master, Slave
Diming Curve:	Theatrical
Hot Lumen output:	5000
CRI:	≥80
Optics:	Specialised close focus lens
Beam angle:	~23°
Beam Angle With Optional Cyc Optic:	80 x 30° (approx.)
Beam Angle With Optional Border Optic:	60° (approx.)
Beam distribution:	Asymmetrical direct illumination
CCT:	3,000K
Lamp life:	L70 at 50,000 hours



Chroma-Q®
BRILLIANT SOLUTIONS

Specification Sheet - Version: 0.2
Chroma-Q® Studio Force T 12 DC™
Tungsten White LED Fixture
Part No: CHSFTDC12



PRELIMINARY



HQ, UK & International Sales
A.C. Entertainment Technologies Ltd.
Tel: +44 (0)1494 446000
Fax: +44 (0)1494 461024
sales@ac-et.com
www.ac-et.com

Northern UK Sales
A.C. Entertainment Technologies Ltd.
Tel: 0113 255 7666
Fax: 0113 255 7676
acnorth@ac-et.com
www.ac-et.com

North American Sales
A.C. Lighting Inc.
Tel: 416-255-9494
Fax: 416-255-3514
northamerica@aclighting.com
www.aclighting.com

Asian Sales
A.C. Lighting Asia KK
Tel: +81 (0)3-6907-1758
Fax: +81 (0)3-6907-1589
sales@aclighting.jp
www.aclighting.jp

Chroma-Q and all associated product names are recognised trademarks, for more information visit www.chroma-q.com/trademarks. The rights and ownership of all trademarks are recognised. The information contained herein is correct at the time of printing, however as we are constantly refining our product range we reserve the right to change the specification without notice. E&OE.