



Chroma-Q®
BRILLIANT SOLUTIONS

Specification Sheet - Version: 0.2
Chroma-Q® Studio Force D 12 Phosphor DC™
Daylight White LED Fixture
Part No: CHSFDPC12

DESCRIPTION

The fixture shall provide a very powerful hot lumens output of up to 8,210 for washing large areas.

The fixture shall be suitable for a wide range of film and studio soft lighting environments including film, TV and broadcast applications.

The fixture shall be IP20 rated.

The fixture shall be suitable for floor, wall or truss mounting.

The fixture shall provide 5,600K CCT daylight white output.

The fixture shall provide a CRI of up to 71*.

The fixture shall provide a smooth, linear dimming curve.

The fixture shall feature a 4 Pin XLR for 12-40V DC Input

FEATURES

- 5,600K CCT variable white
- DC Input: 12-40 VDC via 4 Pin XLR
- Mains Input: 100-240 VDC, 50-60HZ via Optional AC/DC adaptor
- Extreme output - up to 8,210 lumens
- Extremely smooth, uniform wash
- Theatrical grade dimming
- Specifically developed for use in film, TV and broadcast environments
- 300mm / 1ft length ideal for floor, wall or truss mounting
- Camera friendly
- Extra soft beam
- Controllable frequency
- Laboratory calibrated to match Planckian Locus / Black Body Locus
- Very wide output
- Equal to or better output than fluorescent
- Intuitive new colour touch interface
- Alternative to fluorescent
- PowerCon input and output for easy daisy chaining of fixtures
- Flat end plates for seamless wall-washing
- Standalone mode
- 1 slot for accessories
- Toolless yoke adjustment
- Fanless, studio and full control modes
- Broad range of accessories available including Egg crate and barn doors

ORDERING INFORMATION

CHSFDPC12: Chroma-Q Studio Force D 12 Phosphor DC, body finished in black

ACCESSORIES

CHCFCL12: Cyc Lens For Force 12

CHCFBL12: Border Light Lens For Force 12

CHCFSA12: Spigot Adaptor For Force 12

CHCFECL12: Egg Crate Louver For Force 12

CHCFTH12: Top Hat For Force 12

CHCFHTH12: Half Top Hat For Force 12

CHCFBD12: Barn Door For Force 12

CHCFDBX: Diffuser Box For Force 12

CHCFLBA12: Lightbank Adaptor (Speedring) For Force 12

CHCFLB12 Lightbank For Force 12

CHCFLBK-K Lightbank Kit+ For Force 12 (consists of Lightbank Adaptor

(Speedring) & Lightbank™CHCFLB12: Lightbank For Force 12

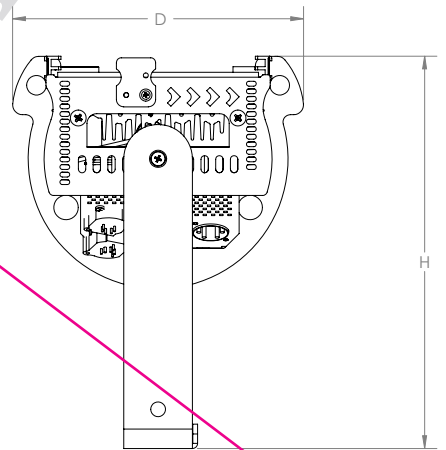
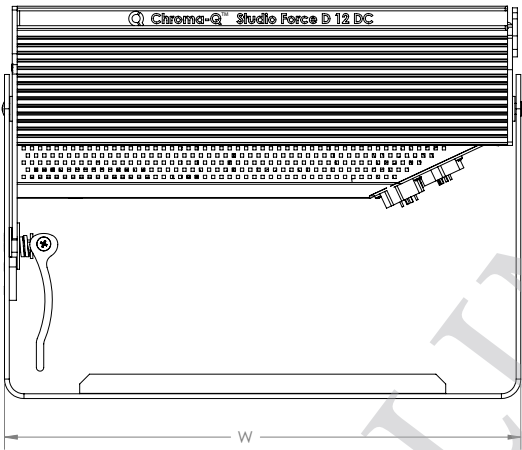
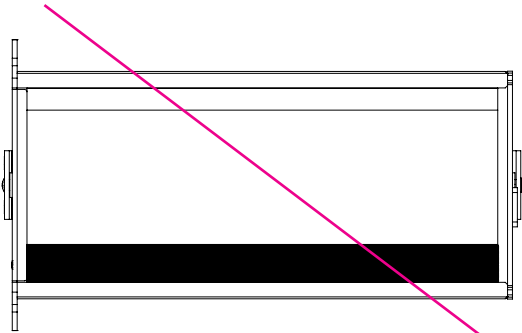
OVERALL SPECIFICATIONS

Net dimensions (without fixings):	Width: 335mm / 13.2" Height: 254mm / 10" Depth: 188mm / 7.4"
Net weight:	4.4kgs / 9.6lbs
Shipping dimensions:	Width: 406mm / 16" Height: 330mm / 13" Depth: 287mm / 11.3"
Shipping weight:	6kgs / 13lbs
Power supply:	External Battery or AC/DC Switching Adaptor
Power input rating:	DC Input: 12-40 VDC; Mains Input: 100-240VAC, 50-60Hz, 160VA
Power consumption:	150W
Typical power & current:	Measurements done with all LEDs at max. intensity. Measurements made at nominal voltage. Allow for deviation of +/- 10%
Power connectors in/out:	XLR 4-pin (Input)
Data connector in/out:	XLR 5-pin
Control protocol:	ANSI E1.11 USITT DMX 512-A
Cooling system:	Forced - 1 fan
Operating temperature:	0°C - 40°C
Construction:	Black anodised aluminium extrusion
Colour:	Black
Built in hardware:	Quick release lever for tilt adjustment
IP Rating:	IP20
Approvals:	CE
LED engines:	2
LEDs per engine:	24 Blue LEDs
Total LEDs:	48
Control modes:	1 channel Level, 1 channel Look Select, Look Store, Manual/Master, Slave
Diming Curve:	Theatrical
Hot Lumen output:	8210
CRI:	≥71
Optics:	Remote phosphor panel
Beam angle:	Softlight
Beam distribution:	Symmetrical direct illumination
CCT:	5600K (+/- 200K)
Lamp life:	L70 at 50,000 hours



Chroma-Q[®]
BRILLIANT SOLUTIONS

Specification Sheet - Version: 0.2
Chroma-Q[®] Studio Force D 12 Phosphor DC™
Daylight White LED Fixture
Part No: CHSFPDC12



PRELIMINARY



HQ, UK & International Sales
A.C. Entertainment Technologies Ltd.
Tel: +44 (0)1494 446000
Fax: +44 (0)1494 461024
sales@ac-et.com
www.ac-et.com

Northern UK Sales
A.C. Entertainment Technologies Ltd.
Tel: 0113 255 7666
Fax: 0113 255 7676
acnorth@ac-et.com
www.ac-et.com

North American Sales
A.C. Lighting Inc.
Tel: 416-255-9494
Fax: 416-255-3514
northamerica@aclighting.com
www.aclighting.com

Asian Sales
A.C. Lighting Asia KK
Tel: +81 (0)3-6907-1758
Fax: +81 (0)3-6907-1589
sales@aclighting.jp
www.aclighting.jp

Chroma-Q and all associated product names are recognised trademarks, for more information visit www.chroma-q.com/trademarks. The rights and ownership of all trademarks are recognised. The information contained herein is correct at the time of printing, however as we are constantly refining our product range we reserve the right to change the specification without notice. E&OE.