



Chroma-Q
MUSIC BY MOUNTAIN

Specification Sheet - Version: 1.2
Chroma-Q® Color One 100X™
Part No: CHCONE100XRGBA

DESCRIPTION

The next generation of the Chroma-Q® Color One family is here: the Color One 100X™ LED PAR! This luminaire features the same innovative homogenized beam, as the Color One 100™, only with nearly 60% more output. The 100X's custom optical design and fully homogenised output delivers a powerful, smooth, uniform and defined 19° beam, with outstanding colour blending across the spectrum and no unsightly colour separation shadows. RGBA emitters deliver outstanding colours across the spectrum - including deep-cold blues, red-hot lava looks and super-soft pastels - as well as a complete range of whites - all from ONE source.

FEATURES

- 1,950 hot lumen output
- Fully homogenised beam
- RGBA colour-mixing palette
- Extremely uniform wash
- Defined 19° beam
- Bold saturates and subtle pastels from ONE source
- High CRI of 93
- Floor, truss or wall mountable
- Quiet, convection cooled, no fans
- Theatrical grade dimming
- Choice of IP20 and IP65* versions

*As per IEC60529 ingress protection rating code.

ORDERING INFORMATION

CHCONE100XRGBA: Chroma-Q Color One 100X RGBA, IP20, PowerCon and XLR-5pin In/Out

OVERALL SPECIFICATIONS

Net dimensions (Full Open Yoke):	Width: 214mm / 8.5" Height: 267mm / 10.5" Depth: 232mm / 9"
Net weight:	3.8kg / 8.5lb
Shipping dimensions:	Width: 406mm / 16" Height: 228mm / 9" Depth: 292mm / 11.5"
Shipping Weight:	5.5kg / 12lb
Power Supply:	Built-in
Power Input Rating:	100-240V AC 50-60Hz 125VA
Power Factor:	0.5
Power Consumption:	63W (Maximum); 5.5W (Stand-by)
Inrush Current:	22A @ 120V AC; 39A @ 230V AC
Typical Power & Current:	Measurements done with all LEDs at maximum intensity. Measurements made at nominal voltage. Allow for a deviation of +/- 10%.
Power Connector In/Out:	powerCON
Data Connectors In/Out:	XLR 5-pin
Control Protocol:	ANSI E1.11 USITT DMX 512-A
Cooling System:	Convection
Operating Temperature:	0°C to 40°C
Construction:	Cast machined aluminium
Colour:	Black (custom colours available on request)
Built-In Hardware:	Split Yoke, 6.25" Accessory Holder
Included Accessories:	Wireless IR Remote, Colour Frame
IP Rating:	IP20
Approvals:	CISPR 15 / EN55015 & EN61547, FCC 15 Subpart B:2012 / ICES-003:2012, CSA C22.2, UL 1573, IEC 60598
Part	
Control Modes:	4 channels RGBA, 5 channels RGBAI, 3 channels HSI, 3 channels RGB, 3 channels MLED RGB, Master, Slave
Dimming Curve:	Theatrical
Variable Effects Engine:	Yes (via Wireless IR Remote)
Effects Parameters:	Full Color Scroll, Warm Color Scroll, Cold Color Scroll and Fade In/Fade Out
Hot Lumen Output (Combined):	1,950
Optics:	Fully homogenised
Beam Angle:	19°
Beam Distribution:	Symmetrical direct illumination
CCT:	Adjustable 1,000 – 10,000K
Colour Gamut:	Performance enhanced
CRI:	93
Lamp Life:	L70 at 50,000 hours



Chroma-Q
 MILL & IT SOLUTIONS

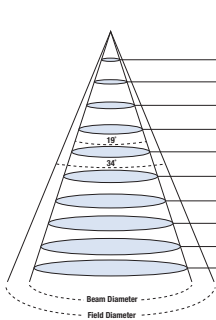
Specification Sheet - Version: 1.2

Chroma-Q® Color One 100X™

Part No: CHCONE100XRGBA

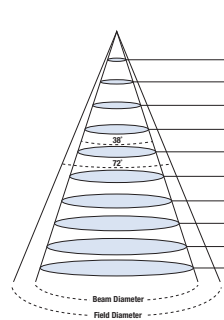
PHOTOMETRICS

Fixture Model: Color One 100X Narrow
 Field: 34°
 Beam: 19°
 Candelas: 12700 Cd
 Lumens: 1900 lm
 Watts: 63 w



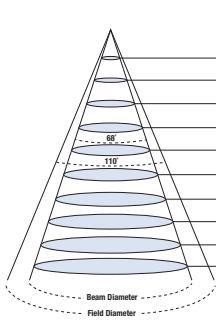
Throw Distance		Field Spread		Beam Spread		Full On	
M	FT	M	FT	M	FT	LUX	FC
1	3.3	0.6	2.0	0.3	1.1	12700	1179.9
2	6.6	1.2	4.0	0.7	2.2	3175	295.0
3	9.8	1.8	6.0	1.0	3.3	1411	131.1
4	13.1	2.4	8.0	1.3	4.4	794	73.7
5	16.4	3.1	10.0	1.7	5.5	508	47.2
6	19.7	3.7	12.0	2.0	6.6	353	32.8
7	23.0	4.3	14.0	2.3	7.7	259	24.1
8	26.2	4.9	16.0	2.7	8.8	198	18.4
9	29.5	5.5	18.1	3.0	9.9	157	14.6
10	32.8	6.1	20.1	3.3	11.0	127	11.8

Fixture Model: Color One 100X Medium
 Field: 72°
 Beam: 38°
 Candelas: 3100 Cd
 Lumens: 1700 lm
 Watts: 63 w



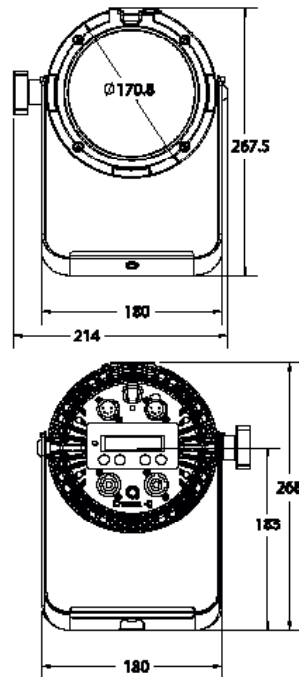
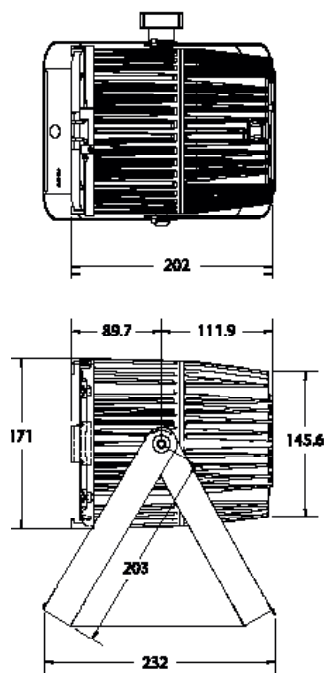
Throw Distance		Field Spread		Beam Spread		Full On	
M	FT	M	FT	M	FT	LUX	FC
1	3.3	1.5	4.8	0.7	2.3	3100	288.0
2	6.6	2.9	9.5	1.4	4.5	775	72.0
3	9.8	4.4	14.3	2.1	6.8	344	32.0
4	13.1	5.8	19.1	2.8	9.0	194	18.0
5	16.4	7.3	23.8	3.4	11.3	124	11.5
6	19.7	8.7	28.6	4.1	13.6	86	8.0
7	23.0	10.2	33.4	4.8	15.8	63	5.9
8	26.2	11.6	38.1	5.5	18.1	48	4.5
9	29.5	13.1	42.9	6.2	20.3	38	3.6
10	32.8	14.5	47.7	6.9	22.6	31	2.9

Fixture Model: Color One 100X Wide
 Field: 110°
 Beam: 68°
 Candelas: 1300 Cd
 Lumens: 1700 lm
 Watts: 63 w



Throw Distance		Field Spread		Beam Spread		Full On	
M	FT	M	FT	M	FT	LUX	FC
1	3.3	2.9	9.4	1.3	4.4	1300	120.8
2	6.6	5.7	18.7	2.7	8.9	325	30.2
3	9.8	8.6	28.1	4.0	13.3	144	13.4
4	13.1	11.4	37.5	5.4	17.7	81	7.5
5	16.4	14.3	46.9	6.7	22.1	52	4.8
6	19.7	17.1	56.2	8.1	26.6	36	3.4
7	23.0	20.0	65.6	9.4	31.0	27	2.5
8	26.2	22.9	75.0	10.8	35.4	20	1.9
9	29.5	25.7	84.3	12.1	39.8	16	1.5
10	32.8	28.6	93.7	13.5	44.3	13	1.2

DIMENSIONS



Chroma-Q and all associated product names are recognised trademarks, for more information visit www.chroma-q.com/trademarks. The rights and ownership of all trademarks are recognised. Whilst every effort has been made to ensure that the information is correct, Chroma-Q accepts no liability for errors or omissions. Technical specifications and data are provided for guidance only. Because we constantly aim to improve our products, we reserve the right to amend or alter at any time and without prior notice, the specifications of any product. E&OE.