

PRELIMINARY

VL880 Spot

l u m i n a i r e



The VARI**LITE* VL880 Spot luminaire is compact and economical but still loaded with powerful and useful features. This new series of luminaire from Philips Vari-Lite provides lighting designers with effective and creative tools for any venue or production size.

The VL880 Spot luminaire comes complete with all of the optical quality and functionality designers have come to expect from Philips Vari-Lite. It is small, lightweight, and fast with a 800-watt MSR Platinum 35 lamp, very impressive lumen output, a zoom range from 15° to 36°, and a mechanical iris for continuous beam control. A drop in frost glass assembly allows users to soften the overall beam, allowing for additional beam control. Built in mounting points on the front of the luminaire provide for easy attachment of after-market accessories such as top hats.

The VL880 Spot luminaire provides brilliant color mixing with its three-wheel CYM color assembly based on the widely praised Series 3000 color system. When combined with eight standard colors on a fixed wheel, the color options are practically limitless.

Additionally, a coated glass dimmer wheel provides smooth fades, and a separate dual-blade strobe system offers quiet and reliable strobe effects. The VL880 Spot luminaire's powerful pan and tilt motors provide smooth, fast time-controlled continuous motion capable of 0.3° resolution with a pan range of 540° and tilt of 260°.

For image projection, the fixture has one gobo wheel with seven rotatable and indexable positions and a second gobo wheel with ten fixed positions. The VL880 Spot luminaire comes equipped with glass gobos and effects.

The VL880 Spot luminaire contains everything that really matters to designers – limitless color options, unmatched clarity of optics, exceptional zoom range, fast, smooth movement and powerful output; all of these features are combined in a compact, lightweight and cost-effective, new luminaire.

The VL880 Spot luminaire can be controlled from virtually any DMX512 console or DMX output device.

Programmable Functions

Intensity Control:	A coated glass dimmer wheel provides full-field dimming designed for smooth timed fades.
Color Mixing System:	A three filter CYM cross-fading mechanism plus a fixed color wheel with eight interchangeable color filters and one open space. Fixed wheel is capable of continuous rotation for additional effects.
Zoom Optics / Control:	High-speed, precision zoom optical system with continuously variable field angle from approximately 15° to 36°; programmable over a timed range of 1.5 seconds to 20 minutes.
Strobe:	A high-performance dual blade strobe system capable of ultra-fast operation.
Beam Size Control:	In addition to the zoom optics, a mechanical iris provides continuous beam size control for both rapid changes and smooth timed beam angle changes.
Gobo Wheels:	One rotating gobo wheel with seven rotatable, indexable gobo positions and one open position. One fixed gobo wheel with ten easily loaded patterns and one open position capable of continuous rotation for additional effects. 17 total gobo positions. Accepts only glass gobos. Includes all standard patterns.
Edge & Pattern Focus:	Variable beam focus to soften edges of gobos or spots.
Frost and Prism Capability:	Independent, drop-in armature with frost glass. Second, independent, drop-in armature with rotating and indexable four facet prism. Both the frost and prism pieces are interchangeable.
Pan and Tilt:	Smooth, time-controlled continuous motion by way of a high-power, three-phase stepper motor system capable of 0.3° resolution. Unit has integral pan and tilt transport/service locks.
Range:	Pan - 540°, Tilt - 260°.

Description

Source:	800W MSR Platinum 35		
Color Temp:	6000K	CRI:	> 75 Ra8
Output:	19,000 Lumens		
Power Requirements:	Standard AC power distribution from 100 - 240VAC, 50/60 Hz. The unit requires up to 12.0A depending on the AC supply voltage.		
Reflector:	Precision faceted, elliptical glass reflector system with dichroic cold mirror coating.		
Operational Temperature:	-20° to 122°F (-29° to 50°C)		
Cooling:	Forced air cooling.		
Control:	Completely compatible with a wide variety of DMX512 lighting control consoles.		
DMX Channels:	30 channels.		
Mounting Position:	May be mounted and operated in any orientation.		
Spacing:	Hangs on 23 inch (58.5 cm) centers.		
Weight:	Luminaire - 56.0 lbs (25.5 kg).		

Ordering Information

VL880 Spot Luminaires:	
20.9687.0004	VL880 Spot Luminaire, Includes 800W MSR Platinum 35 Lamp, Black
20.9687.0004.02	VL880 Spot Luminaire, Includes 800W MSR Platinum 35 Lamp, White

Accessories:	
71.9687.0800	800W MSR Platinum 35 Lamp
22.9620.0194	Safety Cable Assembly
28.8550.0054	USB Luminaire Programming Kit
55.6840.0001	Truss Hook, Mega-Clamp, Round and Square
55.6841.0001	Truss Hook, Mega-Claw for 2" Round Tube



PHILIPS
VARILITE***

VL880 Spot

l u m i n a i r e

PRELIMINARY

Specifications

The unit is an integrally designed, remote-controlled, motorized spot luminaire. The head, yoke, and enclosure housings are constructed of aluminum alloy, plastic and steel for lightweight strength and durability. Virtually silent, variable fans shall be used to provide forced-air cooling for internal components.

The rear cap is removable, providing easy access to the lamp for replacement. A single AC input connector along with two, five-pin DMX512 compatible connectors (in and through) are provided. The unit can be controlled by a wide variety of DMX512 consoles. In addition, a built-in Master/Slave function enables operation of multiple luminaires without a control console.

Each unit is equipped with multiple on-board processors providing diagnostic and self-calibration functions as well as internal test routines and software update capabilities. The unit contains two independent three-phase stepper motors to provide movement of the head through 540° in the horizontal plane (pan) and 260° in the vertical plane (tilt). The pan and tilt mechanisms are belt-driven, providing positional resolution and repeatability of 0.3° on either axis. Unit shall have integral pan and tilt transport/service locks.

The unit shall include a CYM color-mixing system using three wheels which are provided for a broad range of user color selection. In addition to the CYM system, a fixed color wheel with eight interchangeable colors is included for specific color requirements and snap color changes in .14 seconds. The unit comes equipped with a standard palette of dichroic color filters (custom colors are available from Vari-Lite).

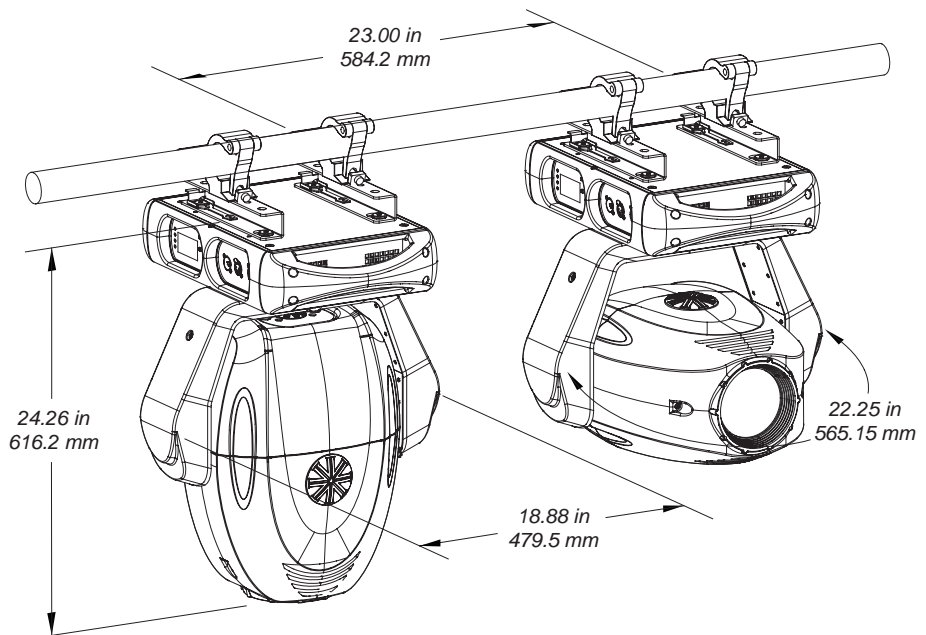
The unit shall include a fixed gobo wheel that holds 10 interchangeable gobos. The unit shall include a second gobo wheel containing seven individually rotating indexable gobos. Its operation is achieved by two motors, which provide independent drive regardless of the direction of movement. All seven rotating gobos are easily interchangeable to allow further customization of the unit. The unit shall come equipped with 17 standard glass gobo patterns and effects. A wide selection of gobos are available from Vari-Lite for an additional charge.

The unit contains a coated glass dimmer wheel that provides full field dimming and allows for both smooth timed fades and fast blackouts. A high-performance, dual blade strobe system is operated with two motors and is capable of various strobe effects. A mechanical iris provides continuous beam size control for both rapid changes and smooth timed beam angle changes. Variable beam focus is provided to soften the edges of gobos or spots and to provide gobo morphing. A powerful zoom lens system offers an adjustable field angle from 15° to 36°. When used in combination with the beam size iris, the unit can project a beam with a field angle of 8°.

The unit shall offer frost capability with an independent, drop-in armature that holds frost glass. Additionally, unit shall have a second, independent, drop-in armature that holds a rotating, four facet, indexable prism. Both the frost and prism pieces shall be interchangeable. Unit shall have frontal accessory mounting points for attachment of after-market accessories such as top hats.

The unit is ETL and ETLc certified and CE marked. Exterior finish is black.

Hanging Dimensions



Photometric Data (Preliminary)

800W MSR Platinum 35 Lamp		
Field Angle (degrees)	Lumens	Center Beam Candela (cd)
15.0	18,200	537,900
26.0	18,750	183,200
36.0	19,000	103,600

PHILIPS

VARI***LITE**

©2011 Philips Group. All rights reserved. Printed in the U.S.A. We reserve the right to change details of design, materials and finishes. Specifications are subject to change without notice. VARI***LITE** automated lighting equipment is made in the U.S.A.

