



Chroma-Q™ White Punch™ LED Fixture

**Part No:
CHCPW**

S P E C I F I C A T I O N S H E E T

V 1.4

DESCRIPTION

The LED fixture unit shall be suitable for creating a range of lighting applications including key, accent, side, back and set lighting.
The fixture shall include a single bracket for hanging or floor standing.
The fixture shall provide a bright 3,500 hot lumens white light output in a compact design.
The fixture shall be IP65 rated.
The fixture shall feature a built-in stand-alone mode.
The fixture shall feature a master/slave mode.
The fixture shall offer a clip on lens media cover accessory.
The fixture shall feature a built-in power supply.
The fixture heatsink shall be manufactured from extruded lightweight material.

FEATURES

- Flexible design and a choice of lighting applications - e.g. key, accent, side, back, set lighting, etc.
- Supplied with versatile Yoke - can be hung or floor standing.
- High output (3,500 hot lumens) - for bright washlight results.
- IP65 rated.
- Built-in power supply and choice of playback looks - no need for additional hardware & cabling.
- Choice of stand-alone or DMX control - for maximum versatility.
- No fans, convection cooled - for completely silent operation.
- Tough machined aluminium & high impact plastic casing - suitable for use on even the most demanding lighting applications.
- Smooth linear dimming curve.
- Exceptional light output levels.
- Lamp life of up to 25,000 hrs - very low maintenance and cost of ownership.

OVERALL SPECIFICATIONS

Net dimensions (without fixings):	Width (A): 213mm / 8.4" Height (B): 153mm / 6" Depth (C): 180mm / 7.1"
Net weight:	3.5kg / 7.7lbs
Shipping dimensions:	Width: 260mm / 10.3" Height: 259mm / 10.2" Depth: 227mm / 9"
Shipping weight:	3.9kg / 8.7lbs
LED cells:	1
LEDs per cell:	36 x White
Total LEDs:	36
Hot lumen output:	3,500 hot lumens
Effects parameters:	Strobe, speed, intensity Fx.
Stand-alone mode:	Yes
Optics:	Specialised close focus lens
Beam angle:	22°
Advanced beam spreading technology:	Yes
Distribution:	Symmetrical direct illumination
CCT:	Fixed 5,600K
Lamp life:	L70 up to 50,000 hours
IP rating:	IP65
Mains connector:	1m trailing
Power consumption:	Standby: 5W Max: 81W
Power input:	90-250V AC, 49 to 63Hz, 1A @ 120VAC
Built-in power supply:	Yes
Control types:	ANSI E1.1 DMX-512A
DMX connector in/out:	XLR5 1m trailing, DMX-512A
Cooling system:	Convection
Colour:	Black anodised
Accessories included:	Yoke
Approvals:	EN55103-1 & 2, IEC60950

ORDERING INFORMATION

Model	Part No
Chroma-Q White Punch	CHCPW

ACCESSORIES

Model	Part No
Clip-on lens media cover	tbc

***** PRELIMINARY SPECIFICATION *****



www.chroma-q.com



HQ, UK & International Sales
A.C. Entertainment Technologies Ltd.
Tel: +44 (0)1494 446000
Fax: +44 (0)1494 461024
sales@ac-et.com
www.ac-et.com

Northern UK Sales
A.C. Entertainment Technologies Ltd.
Tel: 0113 255 7666
Fax: 0113 255 7676
acnorth@ac-et.com
www.ac-et.com

North American Sales
A.C. Lighting Inc.
Tel: 416-255-9494
Fax: 416-255-3514
northamerica@aclighting.com
www.aclighting.com

Asian Sales
A.C. Lighting Asia KK
Tel: +81 (0)48-475-9377
Fax: +81 (0)48-475-9355
sales@aclighting.jp
www.aclighting.jp

All Chroma-Q LED products are licensed by Color Kinetics. Chroma-Q and all associated product names are recognised trademarks, for more information visit www.chroma-q.com/trademarks. The rights and ownership of all trademarks are recognised. The information contained herein is correct at the time of printing, however as we are constantly refining our product range we reserve the right to change the specification without notice. EGOE.

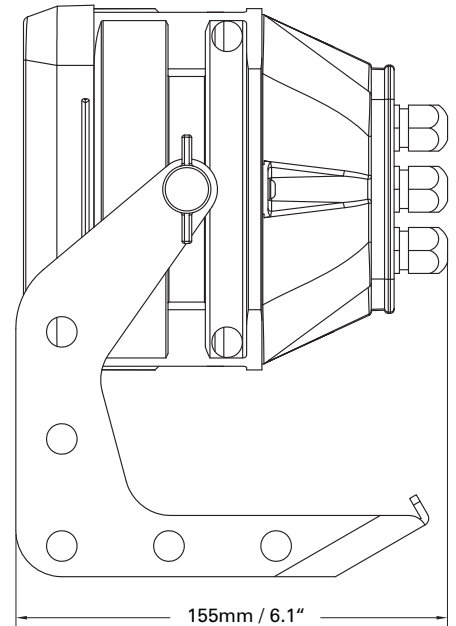
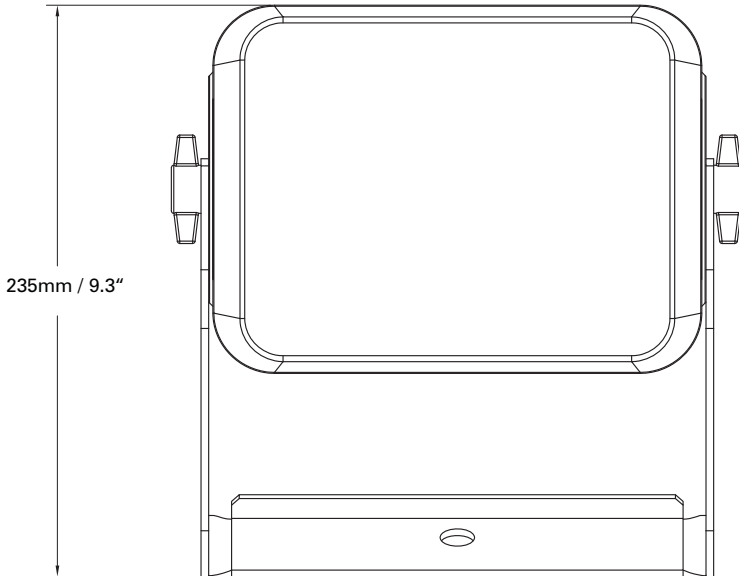
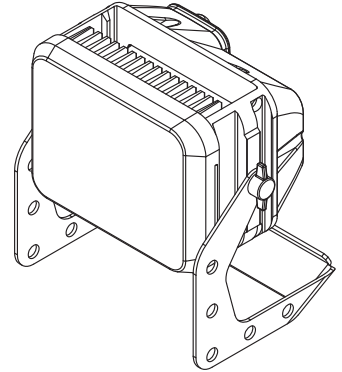
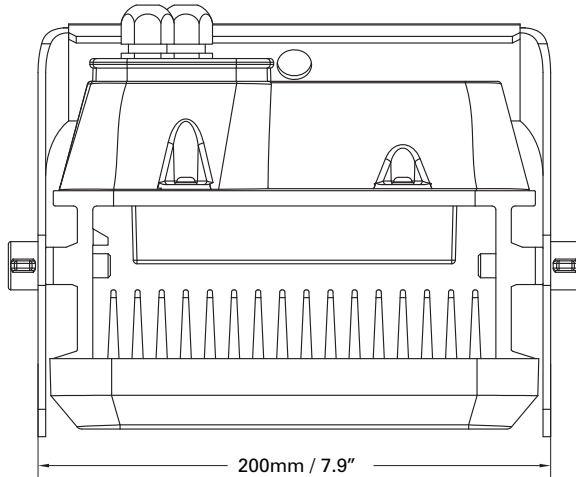


**Chroma-Q™ White Punch™
LED Fixture**

**Part No:
CHCPW**

S P E C I F I C A T I O N S H E E T

V 1.4



***** PRELIMINARY SPECIFICATION *****



www.chroma-q.com



HQ, UK & International Sales
A.C. Entertainment Technologies Ltd.
Tel: +44 (0)1494 446000
Fax: +44 (0)1494 461024
sales@ac-et.com
www.ac-et.com

Northern UK Sales
A.C. Entertainment Technologies Ltd.
Tel: 0113 255 7666
Fax: 0113 255 7676
acnorth@ac-et.com
www.ac-et.com

North American Sales
A.C. Lighting Inc.
Tel: 416-255-9494
Fax: 416-255-3514
northamerica@aclighting.com
www.aclighting.com

Asian Sales
A.C. Lighting Asia KK
Tel: +81 (0)48-475-9377
Fax: +81 (0)48-475-9355
sales@aclighting.jp
www.aclighting.jp

All Chroma-Q LED products are licensed by Color Kinetics. Chroma-Q and all associated product names are recognised trademarks, for more information visit www.chroma-q.com/trademarks. The rights and ownership of all trademarks are recognised. The information contained herein is correct at the time of printing, however as we are constantly refining our product range we reserve the right to change the specification without notice. EGOE.