



# Chroma-Q™ 1300mm LED Pipe for 5-way Color Block™ DB4 Batten

Part No:  
**CHCBLP1300**

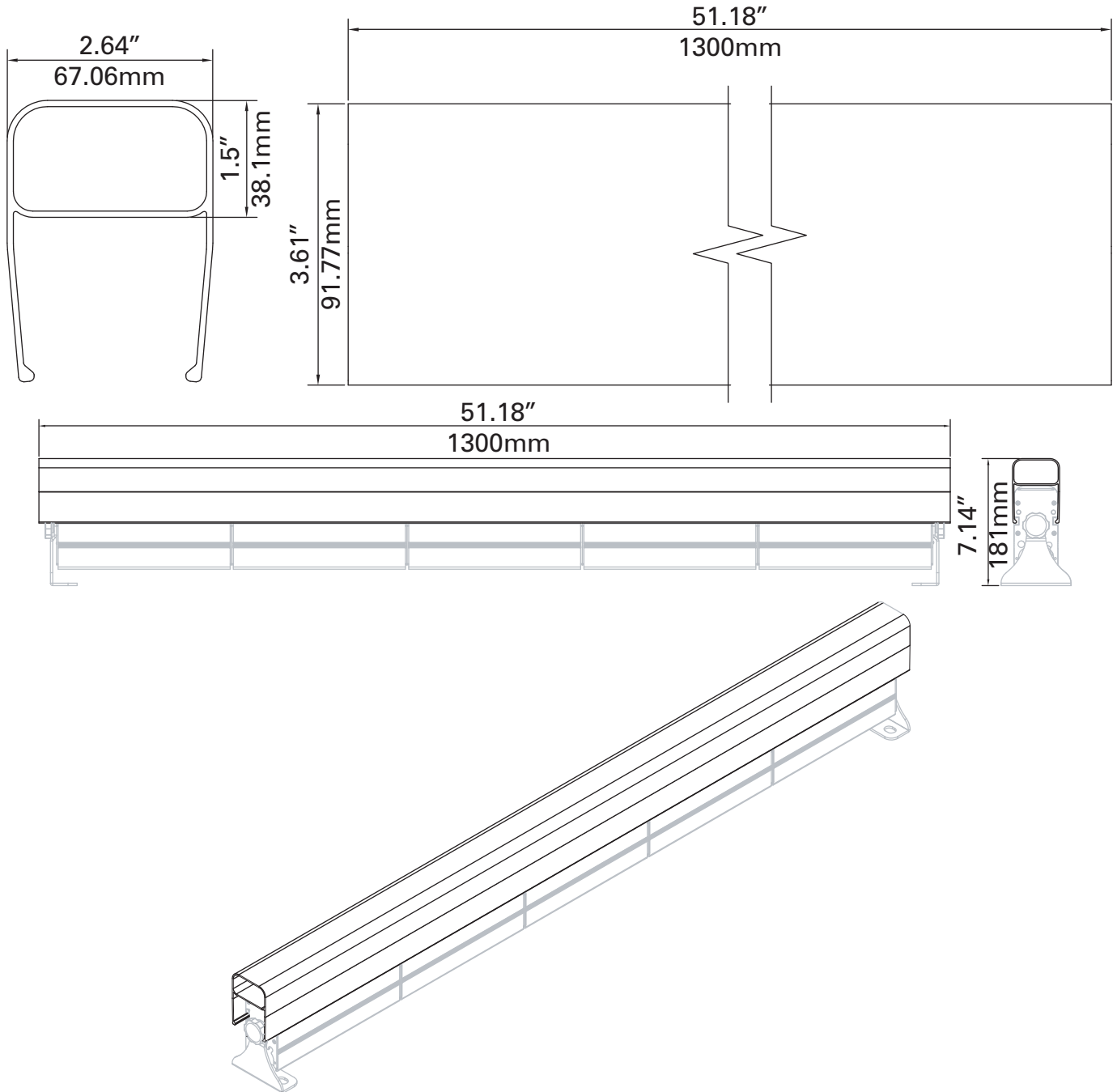
## S P E C I F I C A T I O N S H E E T

V 1.2

### ORDERING INFORMATION

**Model**  
1300mm LED Pipe for 5-way Color Block DB4 Batten

**Part No**  
CHCBLP1300



Color Block DB4 units shown for illustration purposes only - not included

[www.chroma-q.com](http://www.chroma-q.com)



**HQ, UK & International Sales**  
A.C. Entertainment Technologies Ltd.  
Tel: +44 (0)1494 446000  
Fax: +44 (0)1494 461024  
sales@ac-et.com  
www.ac-et.com

**Northern UK Sales**  
A.C. Entertainment Technologies Ltd.  
Tel: 0113 255 7666  
Fax: 0113 255 7676  
acnorth@ac-et.com  
www.ac-et.com

**North American Sales**  
A.C. Lighting Inc.  
Tel: 416-255-9494  
Fax: 416-255-3514  
northamerica@aclighting.com  
www.aclighting.com

**Asian Sales**  
A.C. Lighting Asia KK  
Tel: +81 (0)48-475-9377  
Fax: +81 (0)48-475-9355  
sales@aclighting.jp  
www.aclighting.jp

Chroma-Q and all associated product names are recognised trademarks, for more information visit [www.chroma-q.com/trademarks](http://www.chroma-q.com/trademarks). The rights and ownership of all trademarks are recognised. The information contained herein is correct at the time of printing, however as we are constantly refining our product range we reserve the right to change the specification without notice. E60E.