



Chroma-Q™ Blinder Frame for 4 Color Block™ DB4

**Part No:
CHCBBF**

S P E C I F I C A T I O N S H E E T

V 1.1

ORDERING INFORMATION

Model

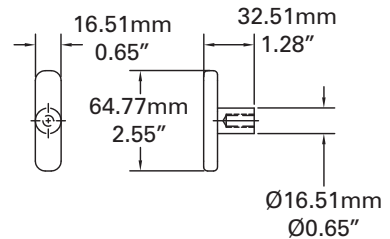
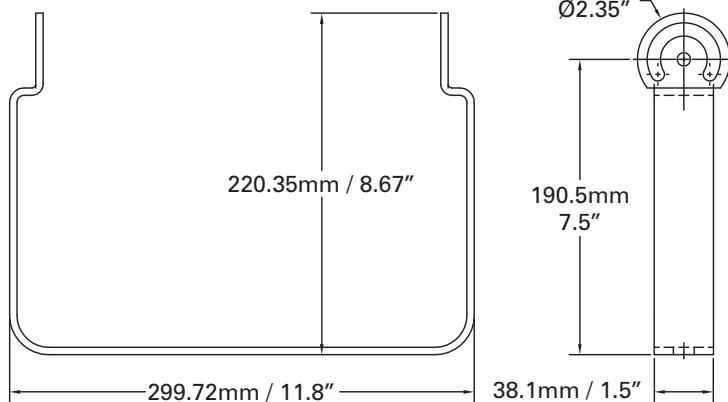
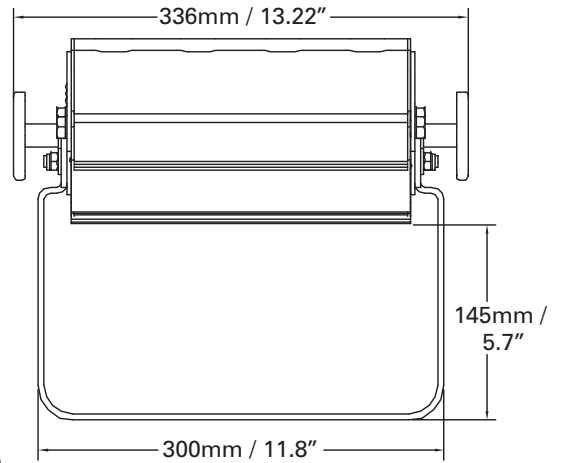
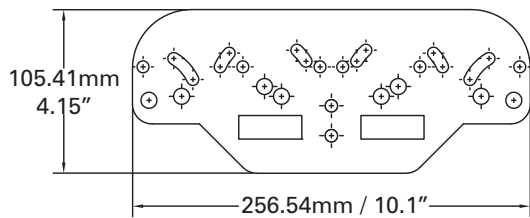
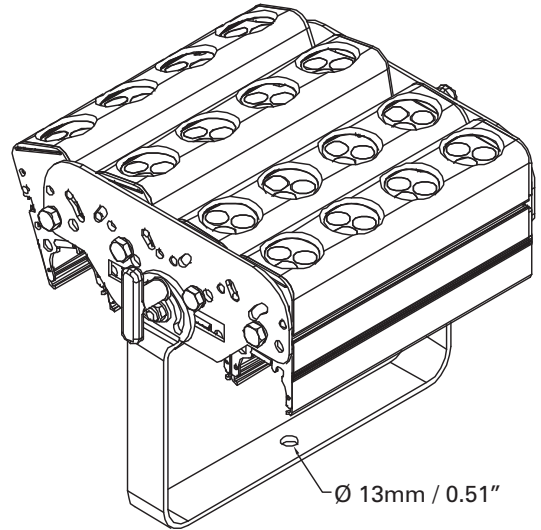
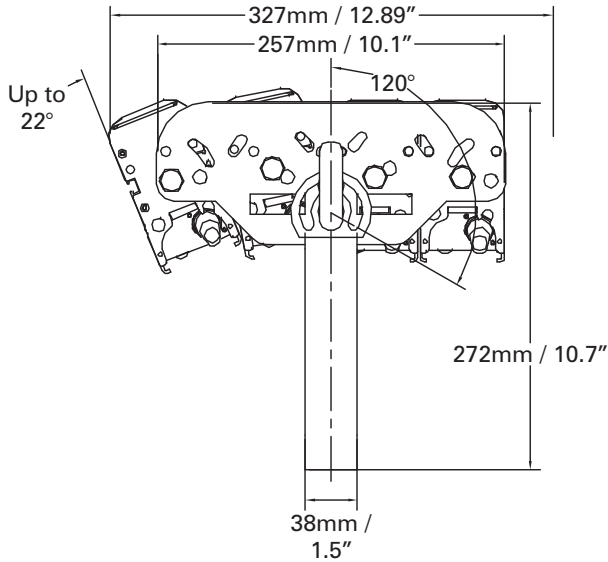
Blinder Frame for 4 Color Block DB4

Part No

CHCBBF4

ADDITIONAL ACCESSORY

Single link cable for blinder formation (requires 3 cables per blinder)



Color Block DB4 units shown for illustration purposes only - not included

www.chroma-q.com



HQ, UK & International Sales
A.C. Entertainment Technologies Ltd.
Tel: +44 (0)1494 446000
Fax: +44 (0)1494 461024
sales@ac-et.com
www.ac-et.com

Northern UK Sales
A.C. Entertainment Technologies Ltd.
Tel: 0113 255 7666
Fax: 0113 255 7676
acnorth@ac-et.com
www.ac-et.com

North American Sales
A.C. Lighting Inc.
Tel: 416-255-9494
Fax: 416-255-3514
northamerica@aclighting.com
www.aclighting.com

Asian Sales
A.C. Lighting Asia KK
Tel: +81 (0)48-475-9377
Fax: +81 (0)48-475-9355
sales@aclighting.jp
www.aclighting.jp

Chroma-Q and all associated product names are recognised trademarks, for more information visit www.chroma-q.com/trademarks. The rights and ownership of all trademarks are recognised. The information contained herein is correct at the time of printing, however as we are constantly refining our product range we reserve the right to change the specification without notice. E60E.