



Chroma-Q™ Color Block™ DB4 LED Fixture

**Part No:
CHCB4**

S P E C I F I C A T I O N S H E E T

V 4.1

DESCRIPTION

The LED fixture unit shall be suitable for creating a wide range of fixture configurations, including battens, blinders, footlights, side fills, cyclorama floods, truss toners, discreet set piece lighting and interior architectural lighting.

The fixture shall offer a full range of fixing accessories for wall, floor, truss, stand and vertical hanging units.

The fixture shall provide highly efficient light output in a compact design.

The fixture shall offer a choice of HSI and RGB control modes.

The fixture shall be manufactured from extruded lightweight material.

The fixture shall feature a built-in stand-alone mode.

The fixture shall have a powerful variable effects engine (V² technology).

FEATURES

- All-purpose design - create custom LED lighting solutions for a wide variety of applications (including touring, rental, TV, theatre, tradeshow and indoor architectural) using stock of one generic fixture.
- Modular construction - easily configured as a wide variety of shapes.
- Broad choice of effects lighting options - e.g. battens, blinders, footlights, side fills, cyclorama floods, truss toners etc.
- Comprehensive range of fixing accessories available - for wall, floor, truss, stand & vertical hanging.
- Exceptional colour brightness & light output levels.
- Advanced beam spreading technology - for an even colour mix across the beam & excellent dispersion angle of around 14°.
- High quality of colour depth & superior range of colour-mixing options.
- HSI (Hue, Saturation & Intensity) & RGB control - enhanced colour adjustment & easier control of light output.
- Variable Effects Engine (V² technology) (HSI mode only) - choice of dynamic colour & effects parameters.
- Heavy gauge anodised aluminium extrusion - lightweight but extremely robust.
- Additional protection around the lenses - for a truly road-proof fixture.
- Slimline design with cable management - perfect for discreet installation.
- Active cooling system - safe, efficient & optimal operation in most conditions.
- Lamp life of up to 25,000 hours - very low maintenance & cost of ownership.
- Choice of 5 unit & 30 unit power supplies - to suit smaller & larger systems.

OVERALL SPECIFICATIONS

Net dimensions (without fixings): Width (A): 250mm / 9.8"
Height (B): 62mm / 2.4"
Depth (C): 117mm / 4.6"
Net weight: 1.4kg / 3lbs

OVERALL SPECIFICATIONS cont.

Shipping dimensions: Width: 267mm / 10.5"
Height: 76mm / 3"
Depth: 127mm / 5"
Shipping weight: 1.4kg / 3.1lbs
Power consumption: See power supply
Connector in/out: XLR4
Cooling fans: 1
Max cable run: 60m / 200'
Colour: Black anodised
LED heads: 4 x 3 RGB
Lamp life: Up to 25,000 hours
Beam dispersion: 14° (approx.)
IP rating: IP20
Control types: RGB, HSI (Hue, Saturation & Intensity)
Variable effects engine: Colour spread, scroll, grouping, step, strobe
Parameters: colour roll, speed, fade (up/down) & resolution
Stand-alone: Yes, via built-in PSU software
Built-in hardware: Interlocking system & quick release catches for connecting as battens. 2 x M10 nuts.
See Accessories list below for wall, floor & truss mounting options

ORDERING INFORMATION

Model	Part No
Chroma-Q Color Block DB4 - black	CHCB4
Chroma-Q Color Block DB4 - pewter	CHCB4-1
Chroma-Q Color Block DB4 - light bronze	CHCB4-2
Chroma-Q Color Block DB4 - gold	CHCB4-3
Chroma-Q Color Block DB4 - champagne	CHCB4-4
Chroma-Q Color Block DB4 - red	CHCB4-5
Chroma-Q Color Block DB4 - green	CHCB4-6
Chroma-Q Color Block DB4 - blue	CHCB4-7
Chroma-Q Color Block DB4 - polished mirror	CHCB4-8

ACCESSORIES

Model	Part No
Chroma-Q PSU for up to 5 Color Block units	CHCBPSU05
Chroma-Q PSU for up to 30 Color Block units	CHCBPSU30
Yoke kit for single Color Block	CHCBSY
Batten bracket kit for up to 5 Color Block units	CHCBBB
Blinder frame for 4 Color Block units	CHCBBF4
90 degree corner for Color Block	CHCBC90
Hinge kit for Color Block	CHCBHP
Wall bracket for single Color Block	CHCBWB
LED pipe for Color Block 1.3m / 4' (5-way batten)	CHCBLP1300
LED pipe for Color Block 0.25m / 9.8" (single DB4)	CHCBLP250
Single link cable for use in batten format	MUCX4SDP-0.22
Other cable lengths available ('x' is length in m)	MUCX4SDP-X
20 deg beam kit for Color Block	CHCBBK20
30 deg beam kit for Color Block	CHCBBK30
30 x 5 deg beam kit for Color Block	CHCBBK3005
60 x 10 deg beam kit for Color Block	CHCBBK6010

www.chroma-q.com



HQ, UK & International Sales
A.C. Entertainment Technologies Ltd.
Tel: +44 (0)1494 446000
Fax: +44 (0)1494 461024
sales@ac-et.com
www.ac-et.com

Northern UK Sales
A.C. Entertainment Technologies Ltd.
Tel: 0113 255 7666
Fax: 0113 255 7676
acnorth@ac-et.com
www.ac-et.com

North American Sales
A.C. Lighting Inc.
Tel: 416-255-9494
Fax: 416-255-3514
northamerica@aclighting.com
www.aclighting.com

Asian Sales
A.C. Lighting Asia KK
Tel: +81 (0)48-475-9377
Fax: +81 (0)48-475-9355
sales@aclighting.jp
www.aclighting.jp

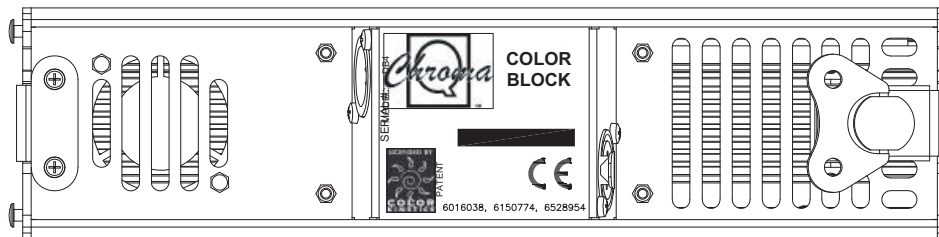
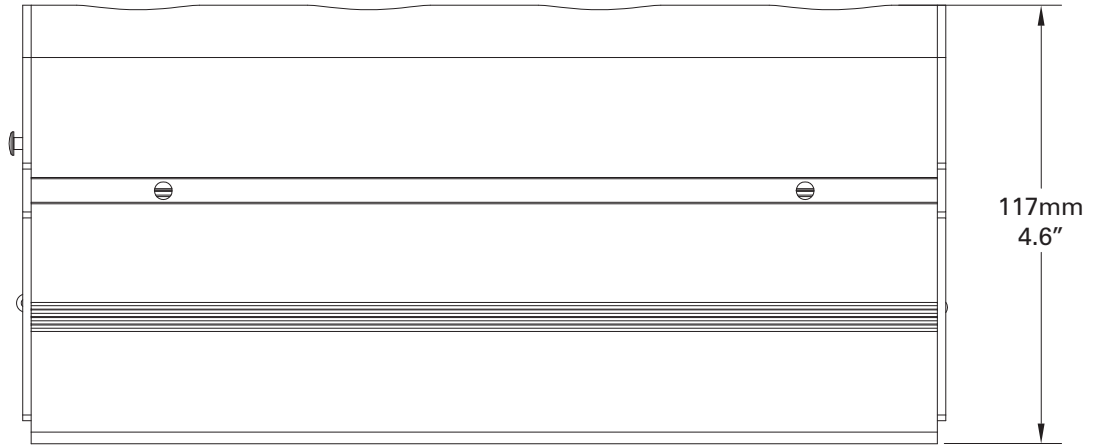
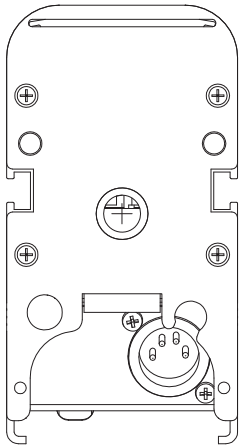
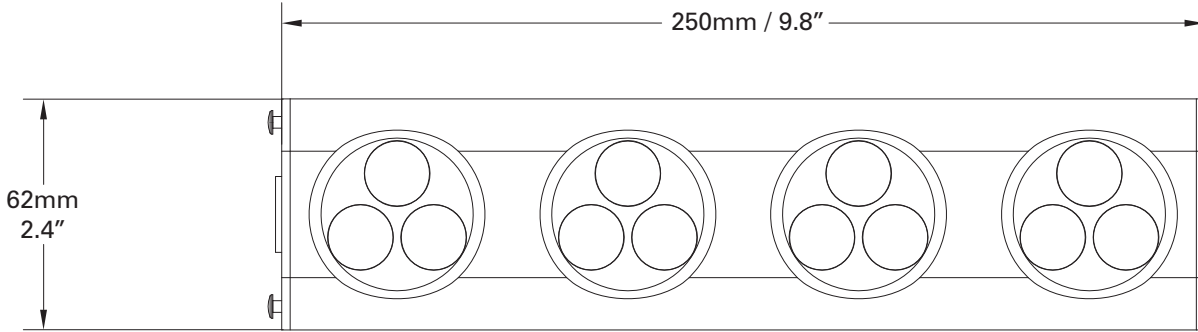


Chroma-Q™ Color Block™ DB4 LED Fixture

Part No:
CHCB4

SPECIFICATION SHEET

V 4.1



www.chroma-q.com



HQ, UK & International Sales
 A.C. Entertainment Technologies Ltd.
 Tel: +44 (0)1494 446000
 Fax: +44 (0)1494 461024
 sales@ac-et.com
 www.ac-et.com

Northern UK Sales
 A.C. Entertainment Technologies Ltd.
 Tel: 0113 255 7666
 Fax: 0113 255 7676
 acnorth@ac-et.com
 www.ac-et.com

North American Sales
 A.C. Lighting Inc.
 Tel: 416-255-9494
 Fax: 416-255-3514
 northamerica@aclighting.com
 www.aclighting.com

Asian Sales
 A.C. Lighting Asia KK
 Tel: +81 (0)48-475-9377
 Fax: +81 (0)48-475-9355
 sales@aclighting.jp
 www.aclighting.jp

All Chroma-Q LED products are licensed by Color Kinetics. Chroma-Q and all associated product names are recognised trademarks, for more information visit www.chroma-q.com/trademarks. The rights and ownership of all trademarks are recognised. The information contained herein is correct at the time of printing, however as we are constantly refining our product range we reserve the right to change the specification without notice. EGOE.