



Chroma-Q™ Color Block™ DB4 UV400 LED Fixture

**Part No:
CHCB4-UV**

S P E C I F I C A T I O N S H E E T

V 1.3

DESCRIPTION

The UV LED fixture unit shall be suitable for creating a wide range of fixture configurations.

The fixture shall offer a full range of fixing accessories for wall, floor, truss, stand and vertical hanging units.

The fixture shall provide highly efficient light output in a compact design.

The fixture shall emit light in the 400nm UV range.

The fixture shall offer a choice of individual cells control mode.

The fixture shall be manufactured from extruded lightweight material.

The fixture shall be controlled by DMX via PSU.

The fixture shall be dimmable.

The fixture shall have strobe function.

FEATURES

- All-purpose design - create custom LED lighting solutions for a wide variety of applications (including touring, rental, TV, theatre, tradeshow and indoor architectural).
- Modular construction - easily configured as a wide variety of shapes.
- Comprehensive range of fixing accessories available for wall, floor, truss, stand and vertical hanging.
- Heavy gauge anodised aluminium extrusion - lightweight but extremely robust.
- Additional protection around the lenses for a truly road-proof fixture.
- Slimline design with cable management - perfect for discreet installation.
- Active cooling system - safe, efficient and optimal operation in most conditions.
- Lamp life of up to 20,000 hours - very low maintenance and cost of ownership.
- Choice of 5 unit and 30 unit power supplies - to suit smaller and larger systems.
- Full DMX control (via PSU).
- Fully dimmable and strobe capability.

OVERALL SPECIFICATIONS cont.

| | |
|-----------------------------------|--|
| Net dimensions (without fixings): | Width (A): 250mm / 9.8" Height (B): 62mm / 2.4" Depth (C): 117mm / 4.6" |
| Net weight: | 1.4kg / 3lbs |
| Shipping dimensions: | Width: 267mm / 10.5" Height: 76mm / 3" Depth: 127mm / 5" |
| Shipping weight: | 1.4kg / 3.1lbs |
| Power consumption: | See power supply |
| Connector in/out: | XLR4 |
| Cooling fans: | 1 |
| Max cable run: | 60m / 200' |
| LED heads: | 12 x UV LED |
| Lamp life: | Up to 20,000 hours |
| Beam dispersion: | 14° (approx.) |
| IP rating: | IP20 |
| Control types: | 4 channels |
| Built-in hardware: | Interlocking system & quick release catches for connecting as battens, 2 x M10 nuts. See Accessories list below for wall, floor and truss mounting options |

ORDERING INFORMATION

| Model | Part No |
|---|----------|
| Chroma-Q Color Block DB4 UV - black | CHCB4-UV |
| Chroma-Q Color Block DB4 UV - other colours | POA |

ACCESSORIES

| Model | Part No |
|---|------------|
| Chroma-Q PSU for up to 5 Color Blocks | CHCBPSU05 |
| Chroma-Q PSU for up to 30 Color Blocks | CHCBPSU30 |
| Yoke kit for single Color Block | CHCBSY |
| Batten bracket kit for up to 5 Color Block | CHCBBB |
| Blinder frame for 4 Color Block | CHCBBF4 |
| 90 degree corner for Color Block | CHCBC90 |
| Hinge kit for Color Block | CHCBHP |
| Wall bracket for single Color Block | CHCBWB |
| LED pipe for Color Block 1300mm / 4' (5-way batten) | CHCBLP |
| LED Pipe for Color Block 250mm / 9.8" (single DB4) | CHCBLP250 |
| 20 deg beam kit for Color Block | CHCBBK20 |
| 30 deg beam kit for Color Block | CHCBBK30 |
| 30 x 5 deg beam kit for Color Block | CHCBBK3005 |
| 60 x 10 deg beam kit for Color Block | CHCBBK6010 |



www.chroma-q.com



HQ, UK & International Sales
A.C. Entertainment Technologies Ltd.
Tel: +44 (0)1494 446000
Fax: +44 (0)1494 461024
sales@ac-et.com
www.ac-et.com

Northern UK Sales
A.C. Entertainment Technologies Ltd.
Tel: 0113 255 7666
Fax: 0113 255 7676
acnorth@ac-et.com
www.ac-et.com

North American Sales
A.C. Lighting Inc.
Tel: 416-255-9494
Fax: 416-255-3514
northamerica@aclighting.com
www.aclighting.com

Asian Sales
A.C. Lighting Asia KK
Tel: +81 (0)48-475-9377
Fax: +81 (0)48-475-9355
sales@aclighting.jp
www.aclighting.jp

All Chroma-Q LED products are licensed by Color Kinetics. Chroma-Q and all associated product names are recognised trademarks, for more information visit www.chroma-q.com/trademarks. The rights and ownership of all trademarks are recognised. The information contained herein is correct at the time of printing, however as we are constantly refining our product range we reserve the right to change the specification without notice. EGOE.

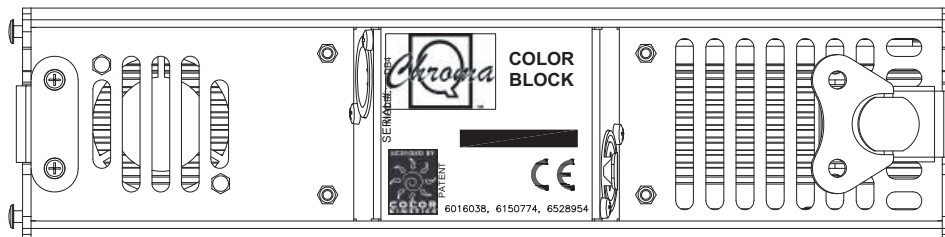
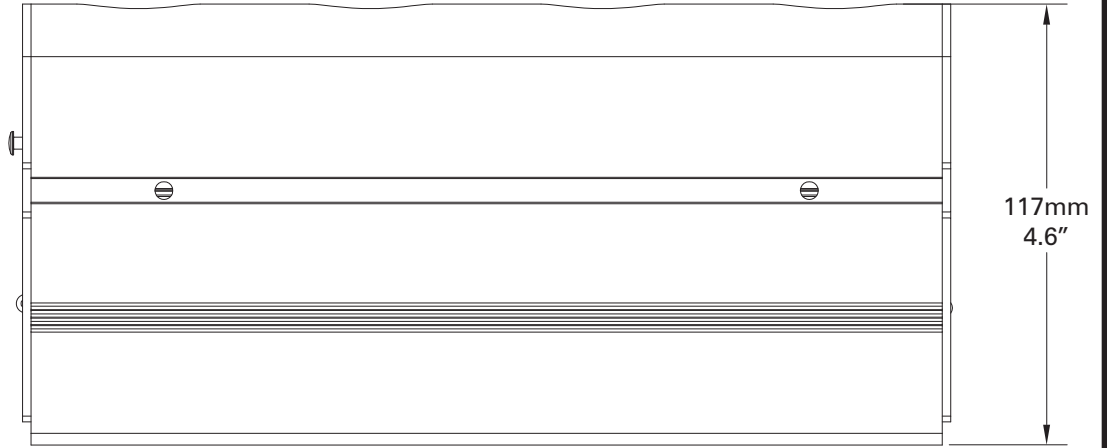
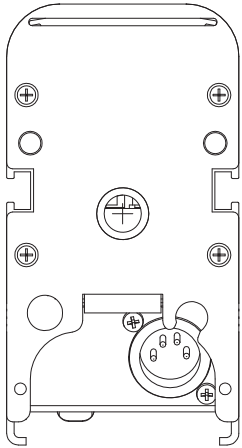
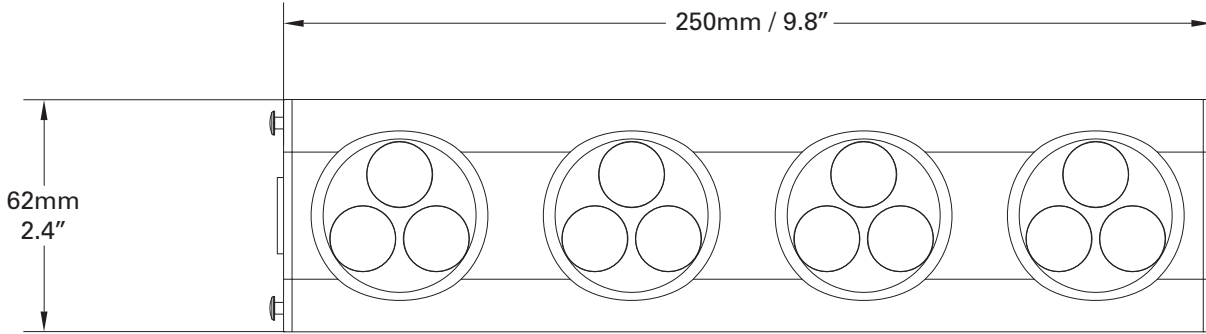


Chroma-Q™ Color Block™ DB4 UV400 LED Fixture

Part No:
CHCB4-UV

SPECIFICATION SHEET

V 1.3



www.chroma-q.com



HQ, UK & International Sales
 A.C. Entertainment Technologies Ltd.
 Tel: +44 (0)1494 446000
 Fax: +44 (0)1494 461024
 sales@ac-et.com
 www.ac-et.com

Northern UK Sales
 A.C. Entertainment Technologies Ltd.
 Tel: 0113 255 7666
 Fax: 0113 255 7676
 acnorth@ac-et.com
 www.ac-et.com

North American Sales
 A.C. Lighting Inc.
 Tel: 416-255-9494
 Fax: 416-255-3514
 northamerica@aclighting.com
 www.aclighting.com

Asian Sales
 A.C. Lighting Asia KK
 Tel: +81 (0)48-475-9377
 Fax: +81 (0)48-475-9355
 sales@aclighting.jp
 www.aclighting.jp

All Chroma-Q LED products are licensed by Color Kinetics. Chroma-Q and all associated product names are recognised trademarks, for more information visit www.chroma-q.com/trademarks. The rights and ownership of all trademarks are recognised. The information contained herein is correct at the time of printing, however as we are constantly refining our product range we reserve the right to change the specification without notice. EGOE.