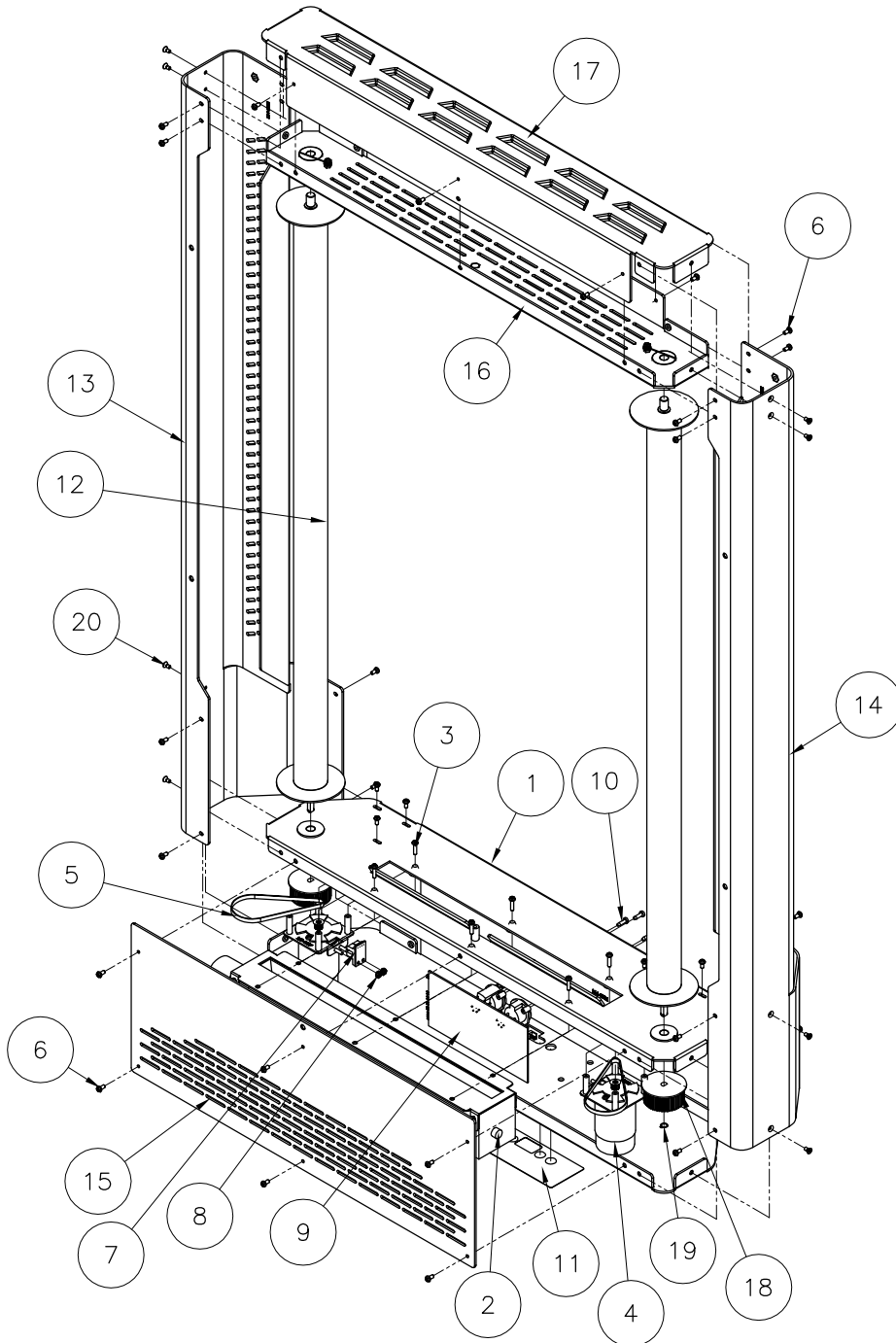


CHROMA-Q M8 PLUS



20	SCREW M3x6 FH PLPS Bik	900-0004	8
19	RET RING EXT 6mm	900-0501	2
18	PULLEY TIMING 48TEETH	103-0063	2
17	CAP TOP M5 PLUS	113-0003	1
16	S/A PLATE TOP C/W BEARINGS	113-0013	1
15	PLATE FRONT M8 PLUS	114-0004	1
14	SIDE RH M8 PLUS	114-0003	1
13	SIDE LH M8 PLUS	114-0002	1
12	TAKE-UP REEL M8 PLUS	114-0007	2
11	OVERLAY CHROMA-Q PLUS	103-0057	1
10	SCREW M3x10 PH PLPS BLK Plastite	900-0024	4
9	PCB COMPLETE M5 PLUS	113-0018	1
8	NUT HEX M3 COMBI Bik	900-0307	2
7	ASSY DUAL OPTICAL SWITCH 6" LEADS	100-0044	1
6	SCREW M3x6 PH PLPS Bik	900-0017	34
5	BELT TIMING T2.5-200	900-0656	2
4	S/A MOTOR M5 PLUS	113-0015	2
3	SCREW M3x12 PH PLPS Bik	900-0040	6
2	S/A FAN M8 PLUS	114-0009	1
1	S/A SHELF MOTORS C/W BEARINGS	114-0008	1
ITEM	DESCRIPTION	PART#	QTY
Parts List			