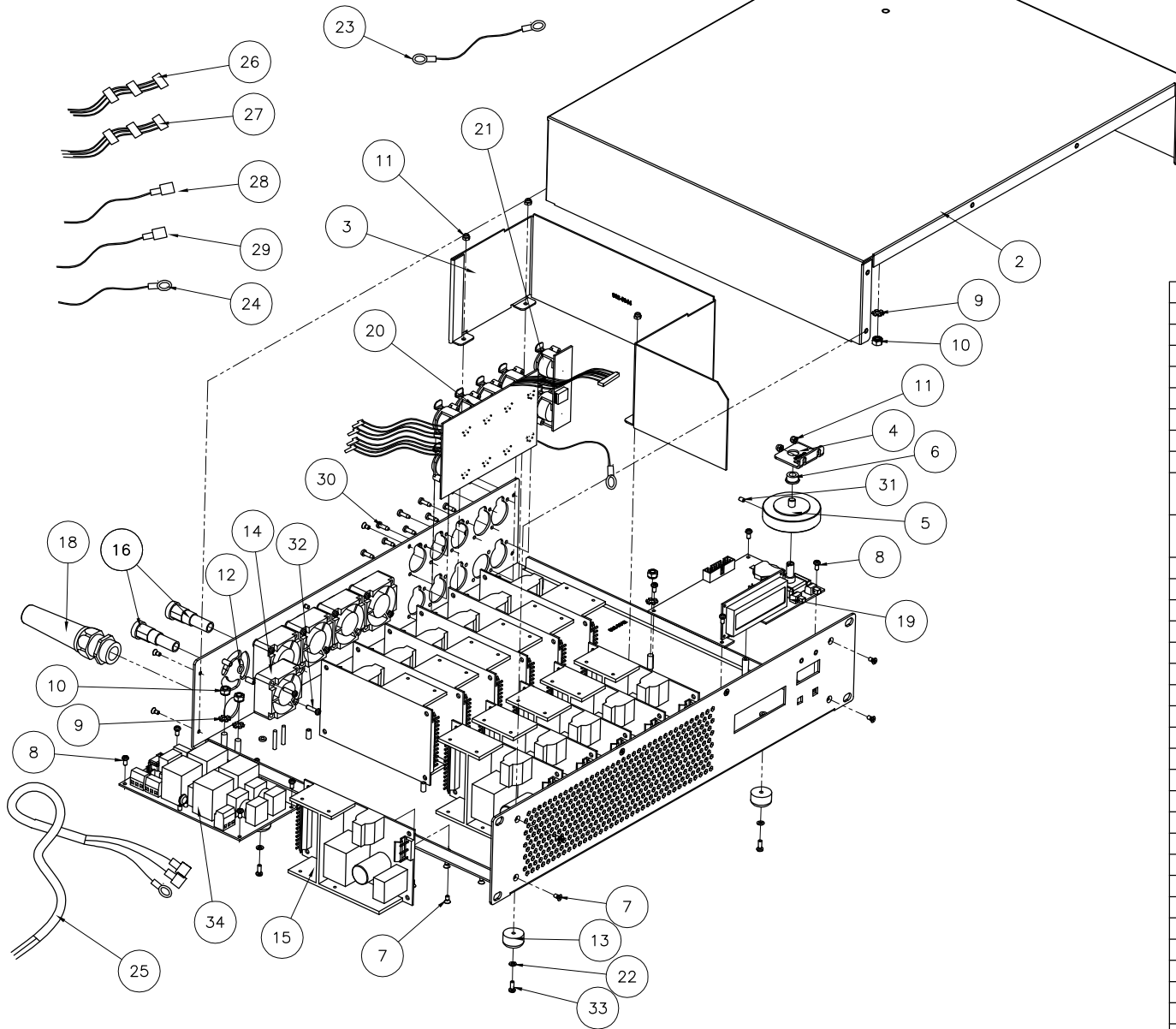


COLOR BLOCK PSU-30



36	HARNESS POWER STAGE SWITCH	100-0042	1
35	JUMPER 2 PIN 22"LG	100-0041	1
34	PCB COMPLETE FILTER/STAGE SWITCH	602-0071	1
33	SCREW M3x8 PH PLPS Bk	900-0034	4
32	SCREW M3x12 PH PLPS Bk	900-0040	10
31	SCREW SET M3x5 CUP P HS	900-0028	1
30	SCREW M3x10 PH PLPS BLK Plastite	900-0024	20
29	602 HARNESS-WHITE FUSE TO TERM	100-0053	1
28	602 HARNESS-BLACK FUSE TO TERM	100-0052	1
27	PSU-30 AC DIST 2 (1, 2, 3, 7, 8, 9) - 19.50"	100-0038	1
26	PSU-30 AC DIST 1 (4, 5, 6, 10, 11, 12) - 25.50"	100-0037	1
25	HARNESS PSU-30 POWER IN (EU)	602-0047	1
24	TERMINAL BLOCK GROUND PSU-30	100-0054	1
23	HARNESS GROUND PSU-30 COVER	139-0013	1
22	WASHER LOCK M3 Bk	900-0204	4
21	PCB COMPLETE SYNC	602-0103	1
20	PCB COMPLETE PSU-30 IN/OUT SMT	602-0087	1
19	PCB COMPLETE PSU-30 CONTROL SMT	602-0095	1
18	STRAIN RELIEF SL-FLEX PG13	900-5123	1
17	Fuse 3AG SB 20 A	900-1038	2
16	FUSE HOLDER 1/4x1&1/4" 20A	900-1022	2
15	POWER SUPPLY 48VDC 120W	900-0642	12
14	FAN ASSEMBLY 602	100-0032	5
13	BUMPER RECESSED RBW-0718-01	900-0604	4
12	ORING 5mm RUBBER Bk	900-0601	10
11	NUT HEX M3 NYLOCK Bk	900-0319	5
10	NUT HEX M5 COMBI Zn	900-0313	4
9	WASHER LOCK M5 EXT TOOTH Zn	900-0227	4
8	SCREW M3x6 PH PLPS Bk	900-0017	8
7	SCREW M3x6 FH PLPS Bk	900-0004	36
6	BUSHING 6mm	107-0009	1
5	PSU-30 ENCODER WHEEL	602-0046	1
4	PSU-30 WHEEL ANGLE	602-0045	1
3	PSU-30 INTERNAL WALL	602-0044	1
2	PSU-30 COVER	602-0043	1
1	PSU-30 CHASSIS	602-0042	1
ITEM	DESCRIPTION	PART#	QTY

Parts List